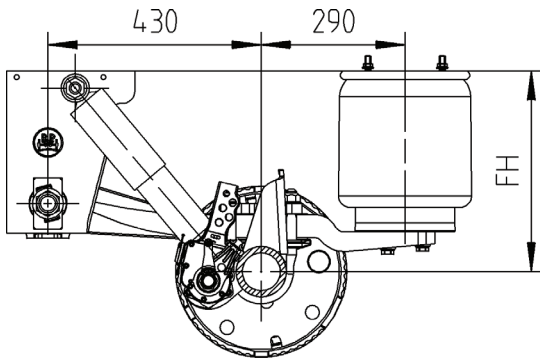




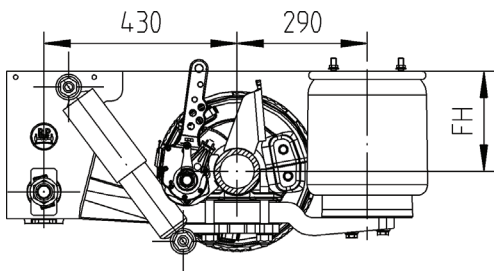
Air suspension series NR... SLO



Ride height:
365-480 mm

Sheet 1

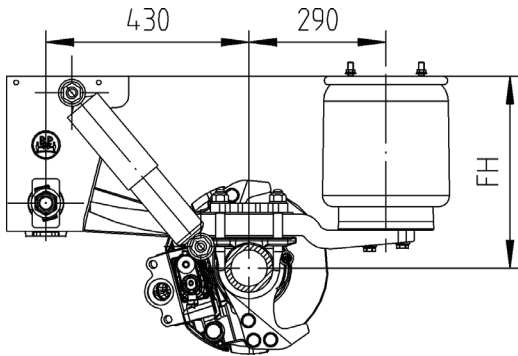
Air suspension series NR... SLU



Ride height:
170-320 mm

Sheet 2

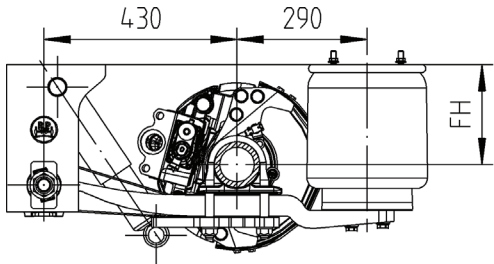
Air suspension series SNR... SLO



Ride height:
365-480 mm

Sheet 3

Air suspension series SNR... SLU



Ride height:
215-320 mm

Sheet 4

Sheet 4a

Axles NRS/NRZ 5506-1

Sheet 6



Weight tolerances are within the permitted DIN tolerances for the particular production processes. Weights in kg.

Suspension acc. to drawing TD-3030.0	Line	Adjustable ride height FH for single axles	Weight of air suspension components	Weight of axle connection
Sheet 1/3	1	365-395	88	11
	2	395-445	91	11
	3	425-480	94	11
Sheet 2	1	170-230	88	15
	2	215-265	91	15
	3	240-320	94	15
Sheet 4	1	215-265	88	17
	2	240-320	91	17
Sheet 4a	1	215-265	88	11
	2	240-320	95	11

Sheet no.	Axles acc. to drawing TD-3030.0	Axle acc. to item no.							
		1	2	3	4	5	6	7	8
Sheet 3	SNRS/SNRZ... 5506-1	197	200	195	198				
Sheet 4	SNRS... 5506-1	198	201						
Sheet 4a	SNRZ... 5506-1	201	204	209					
Sheet 6	NRS/NRZ... 5506-1	190	193	196	199	191	194	197	

Measuring the total weight:

Air suspension components
 + Axle connection
 + Axle

 = Total weight



Series SLO acc. to TD-3030.0 sheet 1/3

Trailing arm 05.082..	Leaf thick- ness	L1	L2	Axle load	Centre of gravity heights max. with spring centre FM				
					1100	1200	1300	1400	1500
..13.97.2	1 x 46	430	290	5500 kg	2660	2850	3030	3210	3390

Series SLU acc. to TD-3030.0 sheet 2/4/4a

Lenkerfeder 05.082..	Leaf thick- ness	L1	L2	Axle load	Centre of gravity heights max. with spring centre FM				
					1100	1200	1300	1400	1500
..13.97.2	1 x 46	430	290	5500 kg	2310	2490	2670	2850	3030

Calculation reference:

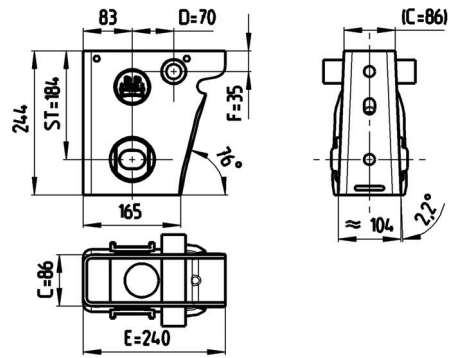
0.4 g transverse acceleration, lateral inclination of the body approx. 3.5 °
without consideration for the tipping limit and the tyre deflection.

Air suspension hanger brackets

Air-spring axles $\varnothing 101$

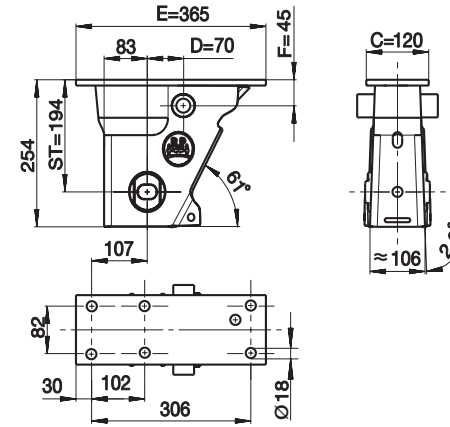
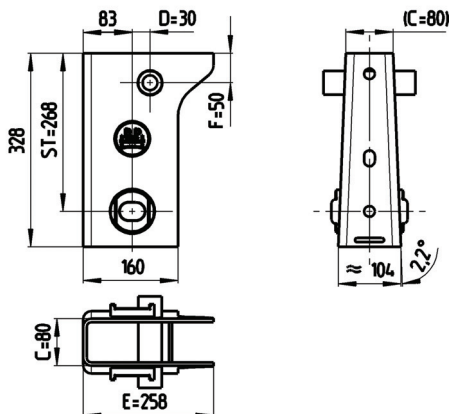
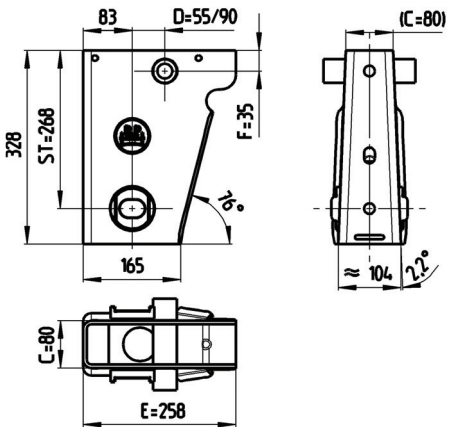
TE-3030.0

Sheet-no. IV



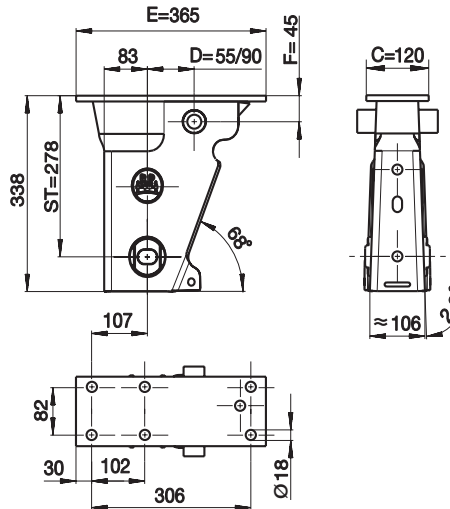
Standard brackets AL II

Note:
The hanger brackets and the frame must be reinforced so that the forces applied can be absorbed.
See the current BPW installation instruction



Bolt-on brackets AL II

Note:
The hanger brackets and the frame must be reinforced so that the forces applied can be absorbed.
See the current BPW installation instruction C-04.00.509610

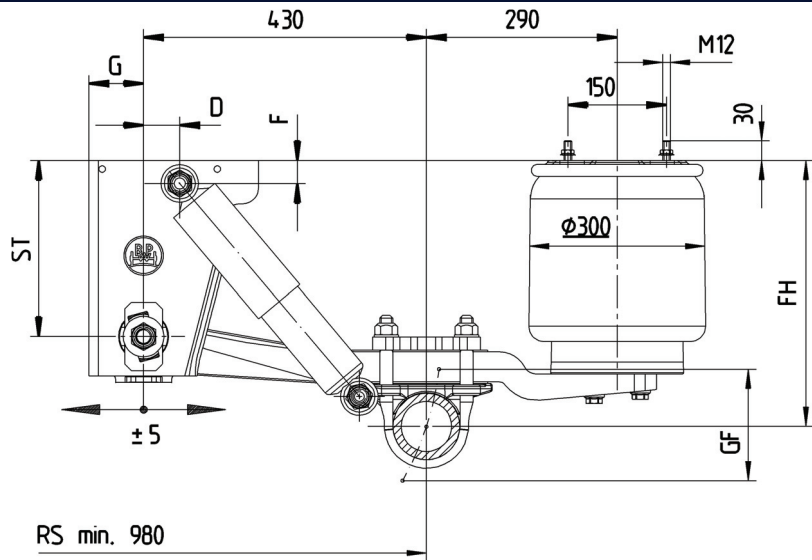


Air suspension

Ø 101 NR..SLO V30K/V30
with drum brake axles

Ride height 365-480 mm
for trailers and semitrailers

TD-3030.0
Sheet-no. 1



Line	Series	≈ adjustable ride height FH				Total spring travel GF ¹⁾	Air bag	Shock absorber 02.37...	Hanger bracket				Shock absorber mount	
		for single axles	for axle units	unladen w/o air	laden with air				ST	C	E	G	D	F
1	SLO	365-395	375-395	305	295	190	30K	..02.70.00	184	86	240	83	70	35
2	SLO	395-445	405-445	335	325	190	30K	..22.83.00	268	80	258	83	55	35
3	SLO	425-480	435-480	365	355	220	30	..22.83.00	268	80	258	83	90	35

¹⁾ Lifting heights acc. to TD-1242.0

DIRECTION OF TRAVEL



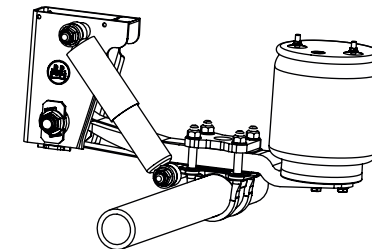
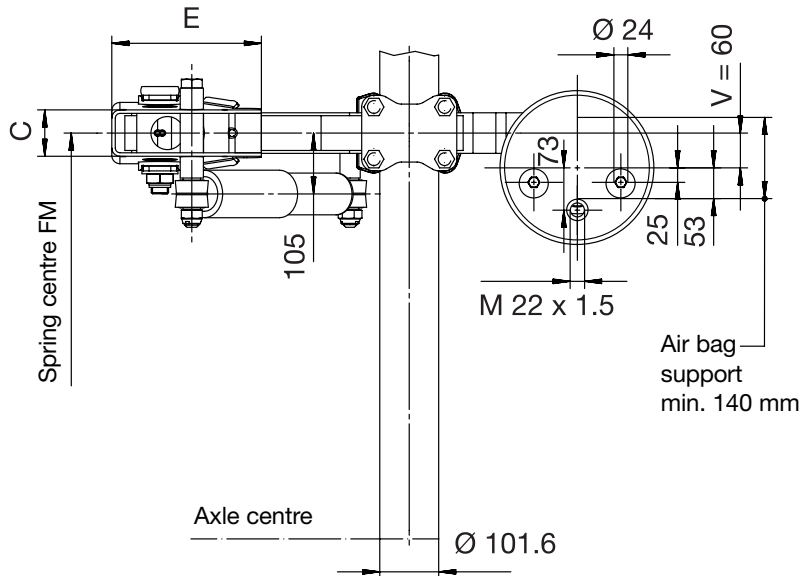
Max. inclination angle of the semitrailer under full load and lowest adjustable ride height $\pm 1^\circ$

Bag pressures acc. to TE-1188.0 sheet 20

The hanger brackets, air bag supports and the frame must be reinforced so that the forces applied can be absorbed.
See the current BPW installation instructions.

Axles acc. to TD-3030.0 sheet 6

Suspension example with axle acc. to TD-3030.0 sheet 6:
NRSSLO 5506 V30K

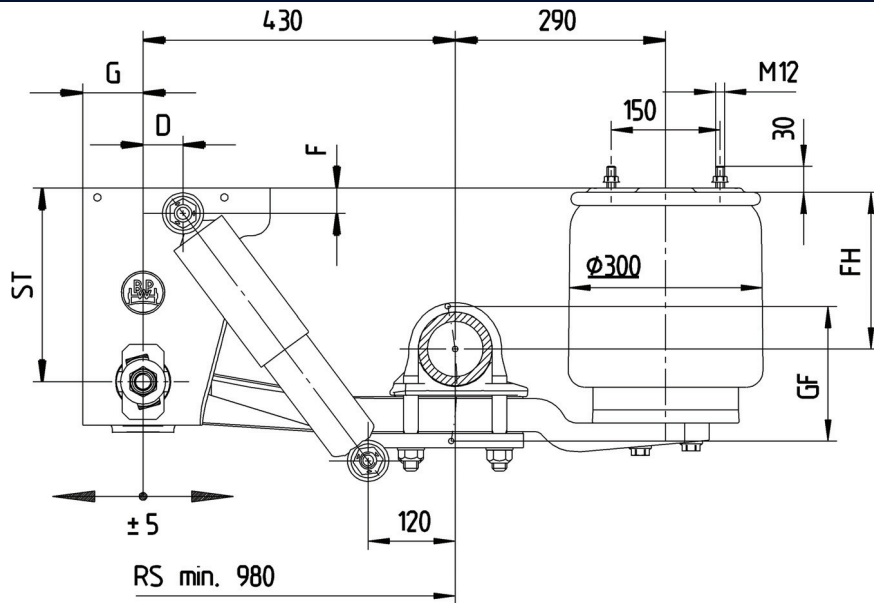


Air suspension

Ø 101 NR..SLU V30K/V30
with drum brake axles

Ride height 170-320 mm
for trailers and semi-trailers

TD-3030.0
Sheet-no. 2



Line	Series	≈ adjustable ride height FH				Total spring travel GF ¹⁾	Air bag	Shock absorber 02.37...	Hanger bracket				Shock absorber mount	
		for single axles	for axle units	unladen w/o air	laden with air				ST	C	E	G	D	F
1	SLU	170-230	180-230	120	110	190	30K	..02.70.00	184	86	240	83	70	35
2	SLU	215-265	225-265	155	145	190	30K	..22.83.00	268	80	258	83	55	35
3	SLU	240-320	250-320	180	170	220	30	..22.83.00	268	80	258	83	90	35

¹⁾ Lifting heights acc. to TD-1242.0

DIRECTION OF TRAVEL



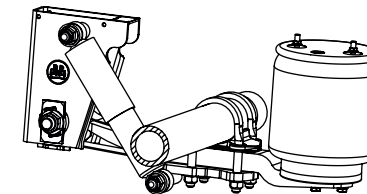
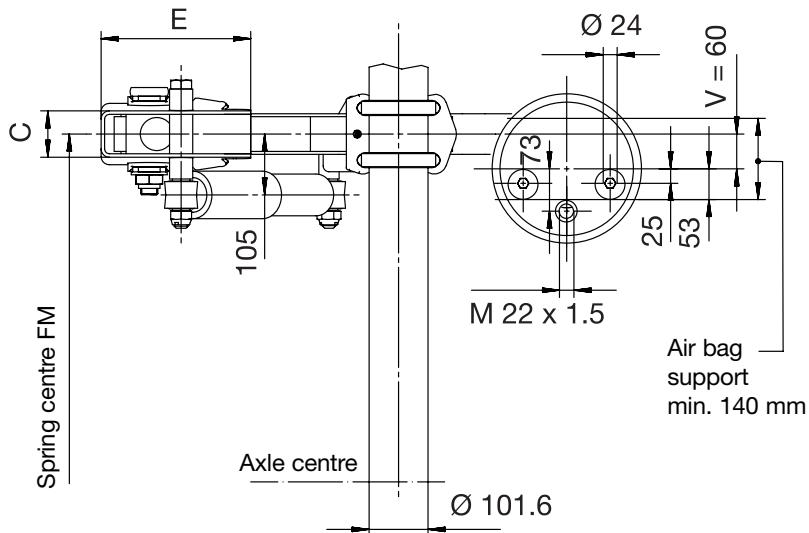
Max. inclination angle of the semitrailer under full load and lowest adjustable ride height ±1°

Bag pressures acc. to TE-1188.0 sheet 20

The hanger brackets, air bag supports and the frame must be reinforced so that the forces applied can be absorbed. See the current BPW installation instructions.

Axles acc. to TD-3030.0 sheet 6

Suspension example with axle acc. to TD-3030.0 sheet 6:
NRSSLU 5506 V30K

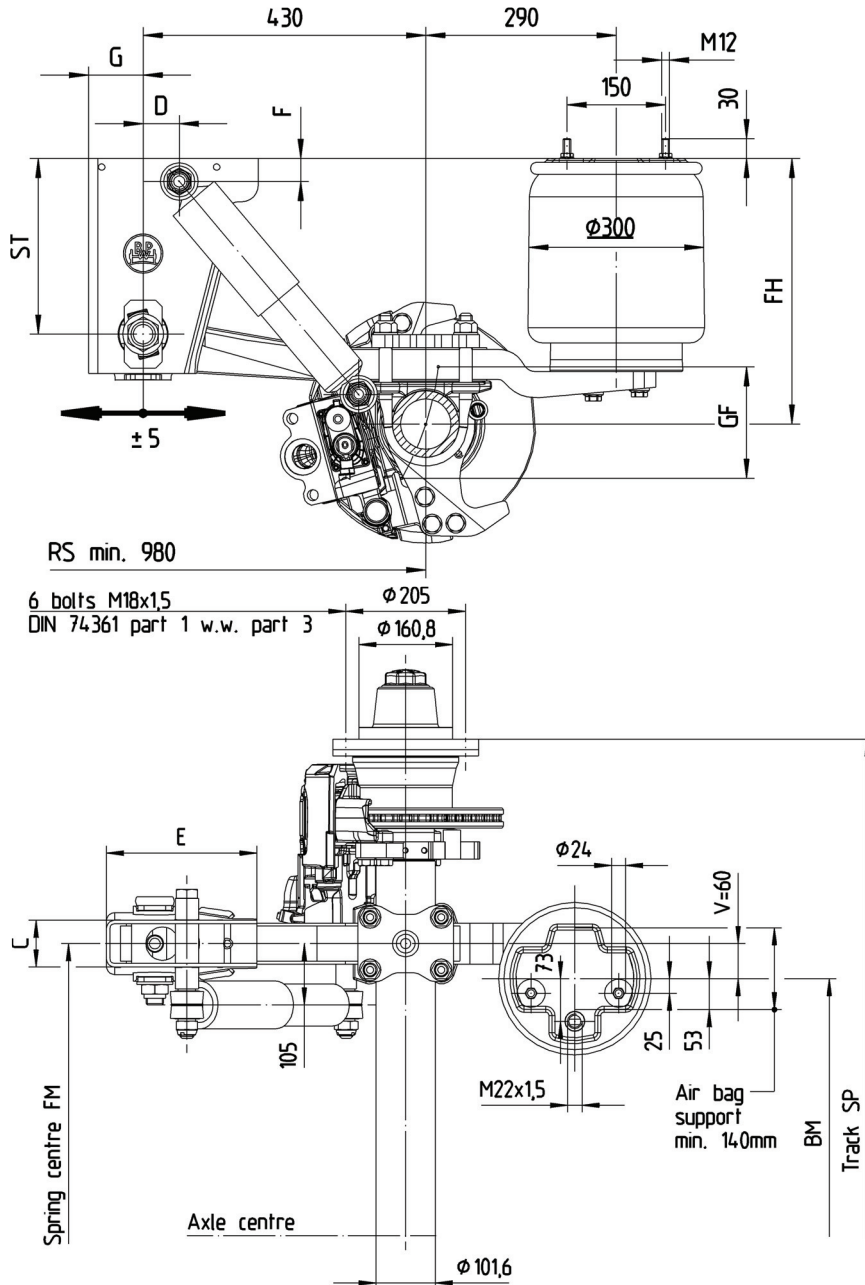


Air suspension

Ø 101 SNR...SLO V30K/V30
with disc brake axles

Ride height 365-480 mm
for trailers and semi-trailers

TD-3030.0
Sheet-no. 3



Line	Series	≈ adjustable ride height FH				Total spring travel GF ¹⁾	Air bag	Shock absorber 02.37...	Hanger bracket				Shock absorber mount	
		for single axles	for axle units	unladen w/o air	laden with air				ST	C	E	G	D	F
1	SLO	365-395	375-395	305	295	190	30K	..02.70.00	184	86	240	83	70	35
2	SLO	395-445	405-445	335	325	190	30K	..22.83.00	268	80	258	83	55	35
3	SLO	425-480	435-480	365	355	220	30	..22.83.00	268	80	258	83	55	35

¹⁾ Lifting heights acc. to TD-1242.0

Max. inclination angle of the semitrailer under full load and lowest adjustable ride height ±1°

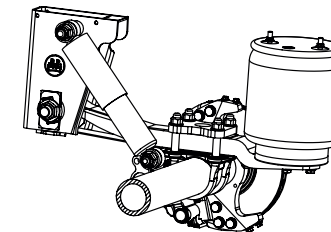
Bag pressures acc. to TE-1188.0 sheet 20

The hanger brackets, air bag supports and the frame must be reinforced so that the forces applied can be absorbed. See the current BPW installation instructions.

DIRECTION OF TRAVEL



No.	Axle type	Track Sp	FM	BM	Recommended tyres
1	SNRS... 5506	1900	1200	1080	235/75 R17.5
2	SNRS... 5506	2100	1400	1280	
3	SNRZM... 5506	1820	1100	980	205/65 R17.5
4	SNRZM... 5506	1920	1200	1080	

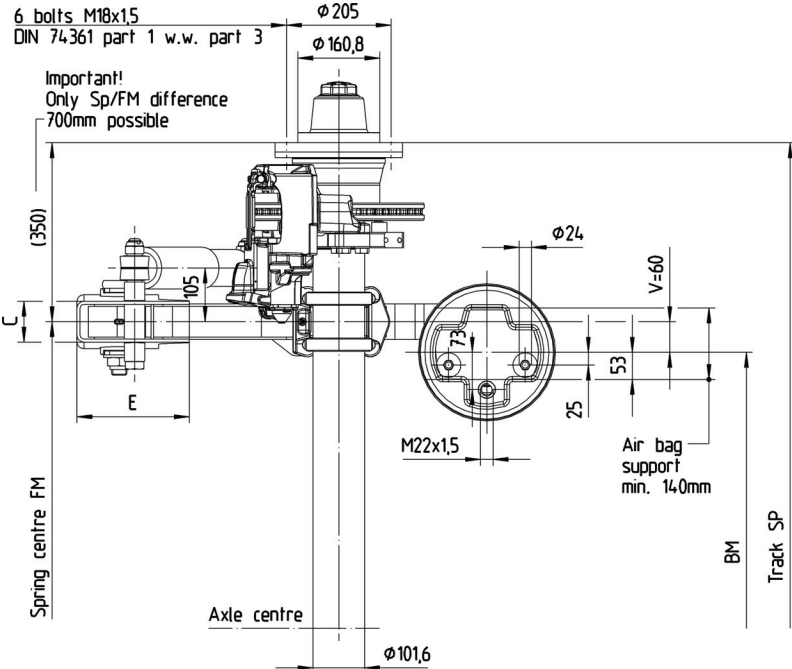
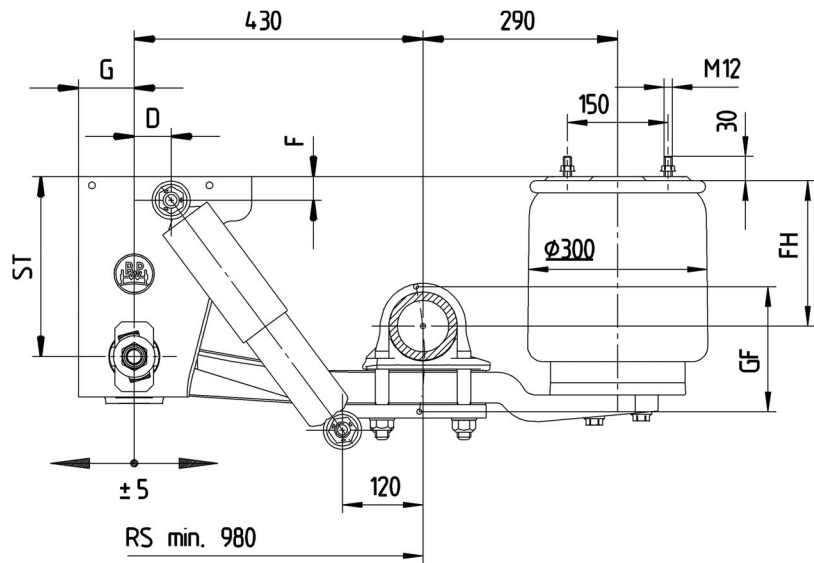


Air suspension

Ø 101 SNR...SLU V30K/V30
with disc brake axles

Ride height 215-320 mm
for trailers and semi-trailers

TD-3030.0
Sheet-no. 4



Line	Series	≈ adjustable ride height FH				Total spring travel GF ¹⁾	Air bag	Shock absorber 02.3722...	Hanger bracket				Shock absorber mount	
		for single axles	for axle units	unladen w/o air	laden with air				ST	C	E	G	D	F
1	SLU	215-265	225-265	155	145	190	30K	..83.00	268	80	220	83	30	50
2	SLU	240-320	250-320	180	170	220	30	..83.00	268	80	220	83	30	50

¹⁾ Lifting heights acc. to TD-1242.0

DIRECTION OF TRAVEL

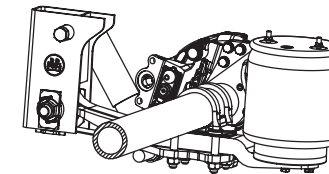


Max. inclination angle of the semitrailer under full load and lowest adjustable ride height ±1°

Bag pressures acc. to TE-1188.0 sheet 20

The hanger brackets, air bag supports and the frame must be reinforced so that the forces applied can be absorbed. See the current BPW installation instructions.

No.	Axle type	Track Sp	FM	BM	Recommended tyres
1	SNRS... 5506	1900	1200	1080	235/75 R17.5
2	SNRS... 5506	2100	1400	1280	

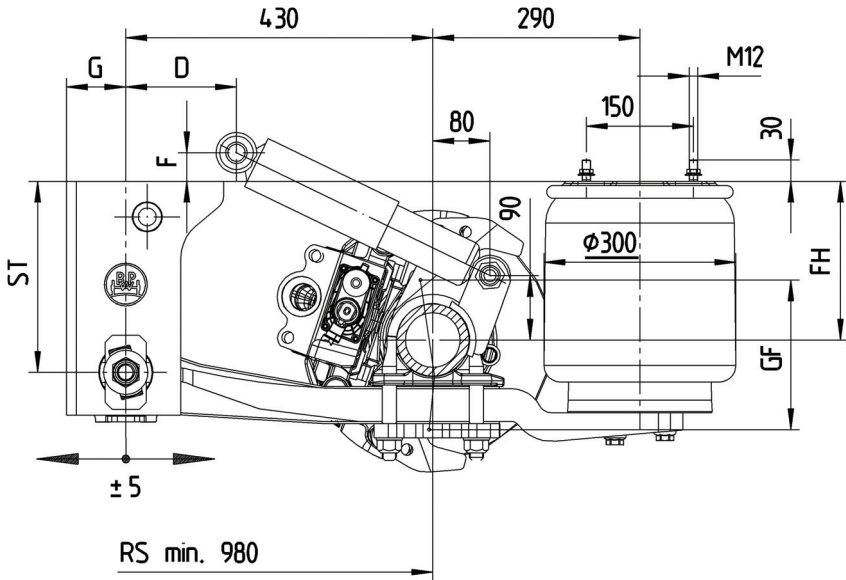


Air suspension

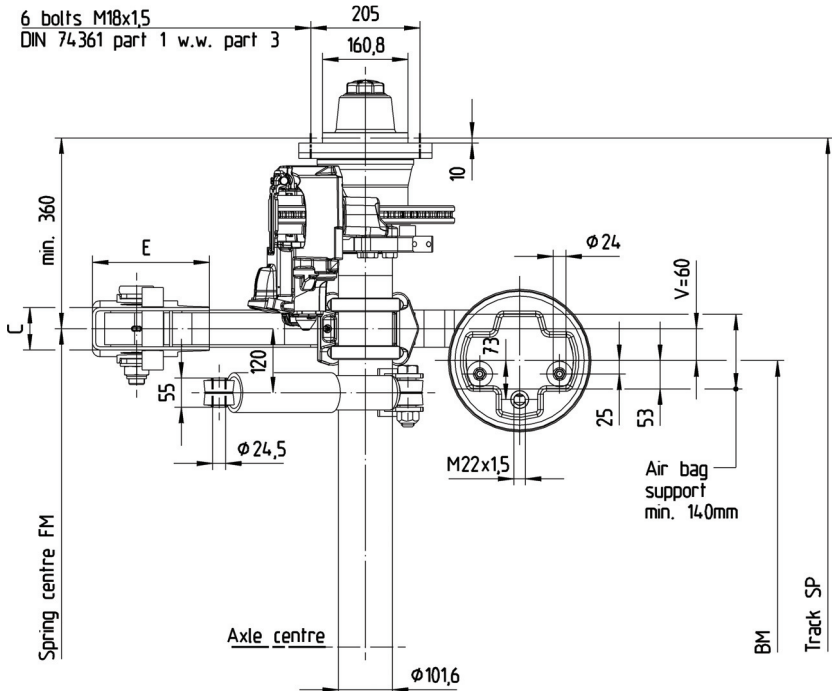
Ø 101 SNRZ...SLU V30K/V30
with disc brake axles

Ride height 215-320 mm
for trailers and semi-trailers

TD-3030.0
Sheet-no. 4a



6 bolts M18x15
DIN 74361 part 1 w.w. part 3



Line	Series	≈ adjustable ride height FH				Total spring travel GF ¹⁾	Air bag	Shock absorber 02.3722...	Hanger bracket				Shock absorber mount	
		for single axles	for axle units	unladen w/o air	laden with air				ST	C	E	G	D	F
1	SLU	215-265	225-265	155	145	190	30K	..22.83.00	268	80	220	83	155	40
2	SLU	240-320	250-320	180	170	220	30	..02.20.00	268	80	220	83	85	110

¹⁾ Lifting heights acc. to TD-1242.0

max. inclination angle of the semitrailer under full load and lowest adjustable ride height ±1°

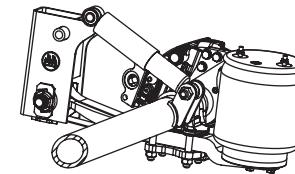
Bag pressures acc. to TE-1188.0 sheet 20

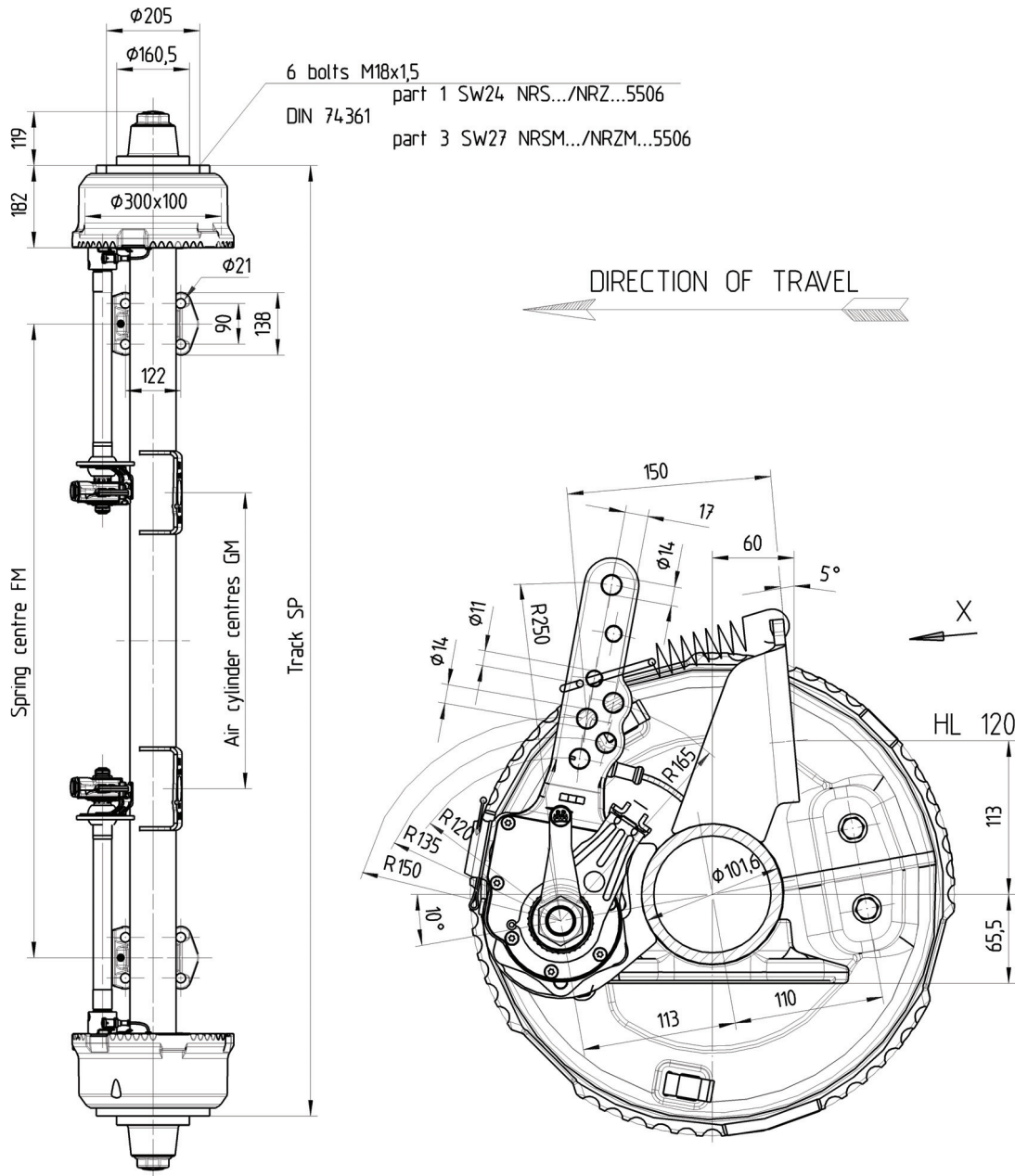
The hanger brackets, air bag supports and the frame must be reinforced so that the forces applied can be absorbed. See the current BPW installation instructions.

DIRECTION OF TRAVEL



No.	Axle type	Track Sp	FM	BM	Recommended tyres
1	SNRZ... 5506	1900	1200	1080	205/65 R17.5
2	SNRZ... 5506	2100	1400	1280	
3	SNRZ... 5506	2020	1300	1180	





No.	Axle type	SP	FM	GM	Brake cylinder ¹⁾	Recommended tyres
1	NRS... 5506 NRSM... 5506	1800	1200	354	M / T	15" / 17.5" / 19.5"
2		1900	1300	454	M / T	
3		2000	1400	554	M / T	
4		2100	1500	654	M / T	
5	NRZ... 5506 NRZM... 5506	1820	1100	354	M / T	
6		1920	1200	454	M / T	
7		2020	1300	554	M / T	

1) M = Diaphragm brake cylinder / T = for spring-type cylinder

